

G-Series G150 LED FOR LIGHT GUIDE ILLUMINATORS

OVERVIEW

The G150 utilizes our unique Dense Matrix LED™ Array and offers high brightness, tunable correlated color temperatures (CCTs) and adjustable intensity in a compact form and at an affordable price. It is as simple to use as a traditional halogen illuminator, but offers the size and cost saving advantages of LED without sacrificing power or spectral quality. By densely packing LEDs, we can efficiently couple light into a light guide and also minimize the physical footprint to save space. As with all ScopeLED G-Series illuminators, the G150 comes in both a table top and a pole mount configuration. The pole mount fits 40mm diameter boom stand poles but optional adapters allow for diameters of 32mm and higher, and can be mounted either vertically or horizontally.

The Tunable White model allows the user to select from three typical CCT settings; 3000K, 4300K, and 5600K to provide the best clarity and interpretation, with maximum user comfort. Eye fatigue, often caused by sustained viewing over long periods of time - for instance when performing visual inspection - can also be minimized by selecting the appropriate CCT. We are utilizing the G-Series in our own production lines and have found that our users experience significantly less fatigue than before. We have also found that certain features in our samples can be made more apparent with different CCT. It is bright, compact, and quiet, making it perfect for stereo microscope inspection of industrial and electronic parts, biological specimens, forensic evidence, and more. Providing a stable output over its 30,000 hours lifetime, the ScopeLED G150 will give years of reliable operation and is a smart and economical alternative to halogen light guide sources. ScopeLED provides optional light guides and ring lights for a complete illumination system.

Applications include machine vision, visual inspection, forensics, biology, and microscopy.

FEATURES

- Bright and efficient Dense Matrix LED™ Array optimized for light guides
- Optional universal fiber mounting adapter compatible with most light guides
- Tunable white with CCT selection of 3000K, 4300K, and 5600K
- Table Top and Pole Mount configurations
- Stable output at all intensities and CCT
- Easy to use intensity and CCT knobs
- Minimal heat and quiet operation
- No UV or IR emission radiation
- Modern, space saving design
- 30,000 hours of LED lifetime
- Simple operation
- Cost effective



OPTICAL PERFORMANCE

5600K Fixed CCT

Typical CCT/Color Settings	8mm Light Guide	
	Radiant Flux (mW)	Luminous Flux(Lm)
5600K	1280	400

Tunable White

Typical CCT/Color Settings	8mm Light Guide	
	Radiant Flux (mW)	Luminous Flux (Lm)
3000K	510	135
4300K	930	260
5600K	740	205

* Results were measured at the output of a 1 meter long, 8 millimeters light guide and may vary based on a number of optical conditions.

SPECIFICATIONS/RATINGS

Supply Voltage	10.8V to 13.2V
Input Current	3.5A max
Maximum Power Consumption	46W
Operating Temperature	0°C to 40°C
Storage Temperature	-20°C to 75°C
Humidity	10% to 90%
CCT Settings	3000K, 4300K, and 5600K
Model Weight: Table Top	1.7 lbs
Model Weight: Pole Mount	1.4 lbs

ORDERING INFORMATION

Device	SLG150 - [] - []
SLG150	Light Guide Illuminator
Mounting	
T	Table Top
P	Pole Mount
LED*	
5600K	5600K Fixed CCT
TW	Tunable White Light

Accessories (Optional)

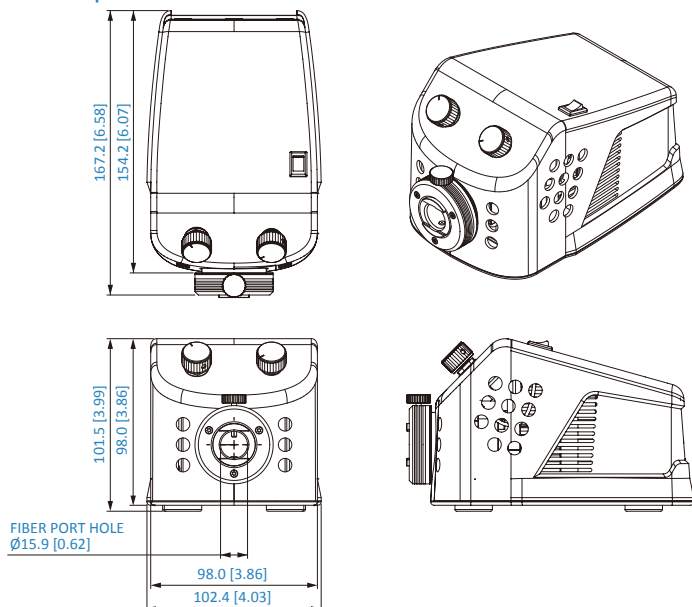
SLAG-BASE	Lead Base for utilizing the Rigid Gooseneck Lightguides for Stability
SLAG-BIFR	20-Inch Bifurcated Gooseneck Light Guide with Focusing Lenses
SLAG-PA32	Pole Mount Adapter (40mm to 32mm)
SLAG-PACU	Pole Mount Adapter (40mm to Custom Size)
SLAG-RING	36-Inch Fiber Optic Ring Light
SLAG-SB	Stand Bracket for Mounting to the Back of Non-pole Stereo Microscope Stand
SLAG-SS	Support Stand for Rigid Gooseneck Light Guides
SLAG-EXT15	Extends Warranty on Item for One Additional Year

* Please contact ScopeLED for customized wavelengths or spectrums.

MECHANICAL DIMENSION

Unit: mm [inch]

Table Top



Pole Mount

