

G150/G180 Series

MICROSCOPE ILLUMINATOR

Quick Start Guide



1. Items Included

G150 Series / G180 Series

- Illuminator x1
- Tightening Set Screw x1
- AC/DC Power Adapter x1
- AC Power Cord x1
- Quick Start Guide x1
- Post Thumb Screw x1 (G150P/G180P only)
- USB to mini-USB Cable Cord x1 (G180T/G180P only)
- External Input Cable Connector x1 (G180T/G180P only)

Accessories

- Pole Adapter 40 to 32mm
Optional, PN: SLAG-PA32 (G150P/G180P only)
- Pole Adapter 40 to Specify ID
Optional, PN: SLAG-PACU (G150P/G180P only)
- Support Stand for Models Using Ring Light Guides
Optional, PN: SLAG-SS (G150T/G180T only)
- Lead Base for Models Using Rigid Light Guides
Optional, PN: SLAG-BASE (G150T/G180T only)
- Rigid Bifurcated Gooseneck Light Guide
Optional, PN: SLAG-BIFR
- Ring Light Guide
Optional, PN: SLAG-RING
- Light Guide Adapter
Optional, Custom Design

2. Safety Instruction

Warnings:

- Never look directly at the LED array light.
- Inappropriate usage of ScopeLED's G-Series products could result in eye damage.

Attention:

- The statements regarding safety of operation of the G-Series will apply only when the product is operated correctly.
- Any installation or attachment of light guide to the G-Series illuminator should always be performed with power adapter and other cables disconnected.
- When installing or removing a light guide, the G-Series illuminator ON/OFF Switch should always be set to OFF.
- The G-Series must not be operated in explosion prone environments. The G-Series products must always be operated with shielded cables.

3. Downloads

Software:

Controlling the G180 Series illuminator by PC requires Light Control Software. This can be downloaded at <http://www.scopeled.com/resources/downloads.php>

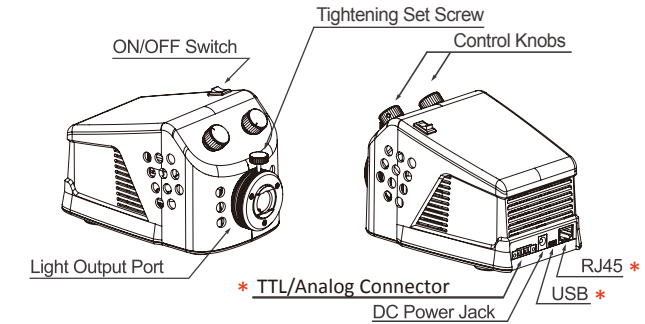
Operation Manual:

For the complete G-Series Operation Manual in PDF format please go to link on the ScopeLED website. <http://www.scopeled.com/resources/downloads.php>

4. Parts Diagram

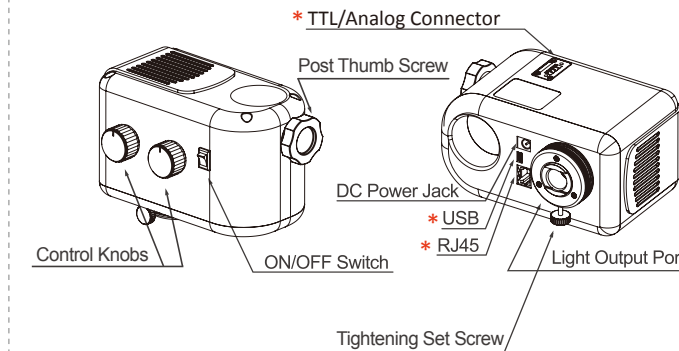
Table Top Model

* Only Available in G180T



Pole Mount Model

* Only Available in G180P



5. Contact Us



1689 Regatta Blvd, Richmond, CA 94804
tel | 510.620.5154
fax | 510.620.4102
scopeled@scopeled.com

SCOPELED®

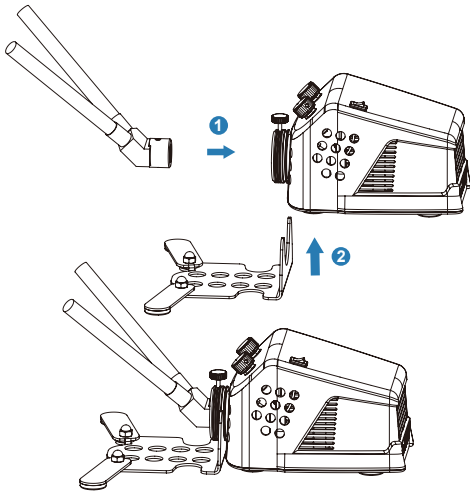
www.scopeled.com

© ScopeLED. All Rights Reserved.

6. Support Stand / Lead Base (Optional)

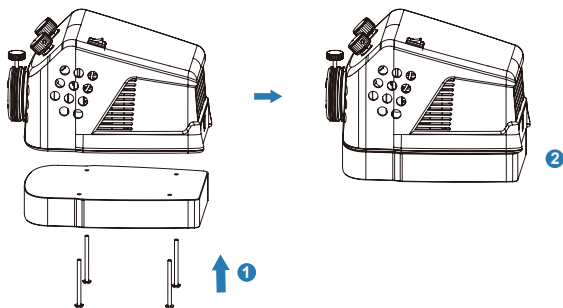
Support Stand

If using a ring light guide with the G150T or G180T table top models, the optional SLAG-SS support stand is recommended. Snap the U-shaped opening of the support stand into the indent ring located behind the LED illuminator light output port. Push down hard to fully seat the stand in the ring. If needed, extend out the foldable arms for additional lateral support.



Lead Base

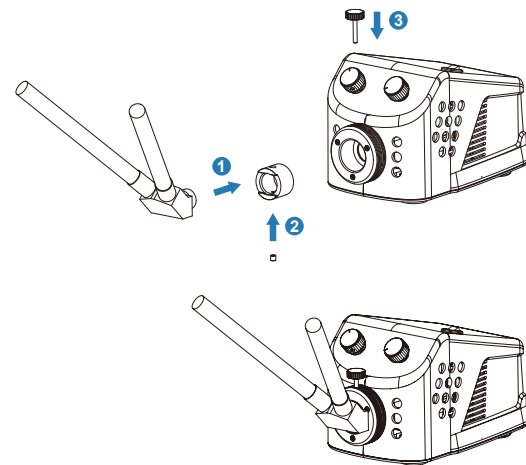
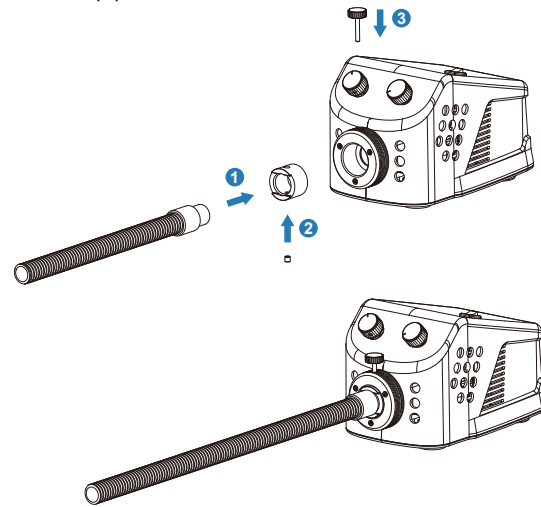
If using a rigid gooseneck light guide with the G150T or G180T table top models, the optional SLAG-BASE lead base is recommended. Remove the four screws on the bottom of the LED illuminator. Then place the base over the bottom lining up the screw holes, and re-insert the screws to attach the base to the bottom of the illuminator.



7. Light Guide Installation

Make sure the ON/OFF Switch is set to off.

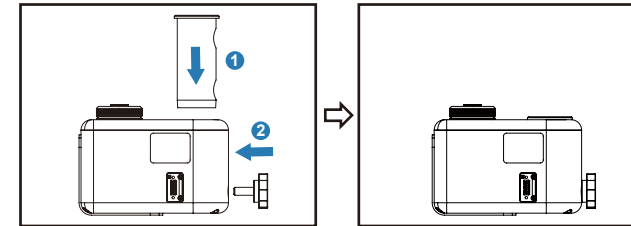
Place the illuminator on a desk. Connect the single or bifurcated gooseneck to the light guide adapter (1), and secure it with the set screw (2). Insert the gooseneck or ring light into the LED illuminator light output port and secure it with the tightening set screw (3).



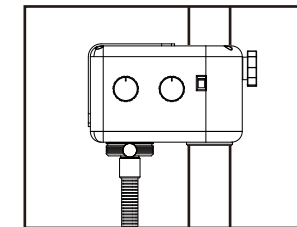
8. Pole Adapter (Optional)

SLAG-PA Pole Adapter will be necessary for microscope stand with vertical or horizontal pole diameters less than 40mm.

Insert the pole adapter into the G150P or G180P 40mm opening, be sure the openings on the GPA adapter are facing the post thumb screw.



Slip the illuminator with the insert over the vertical or horizontal pole of microscope stand and tighten by rotating the post thumb screw clockwise.

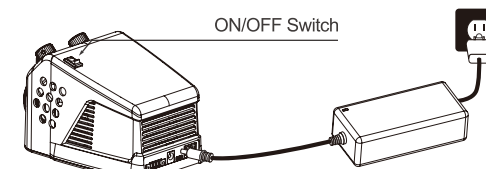


9. Power Setup

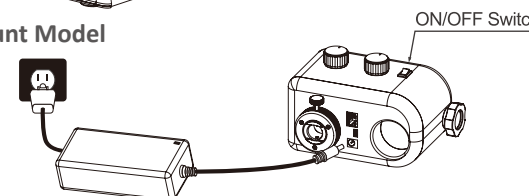
Set the G150 Series ON/OFF switch to "OFF".

Connect the 12V AC/DC power adapter to the illuminator at the DC power port shown on the model images below and then plug the power cord into the wall socket.

Table Top Model



Pole Mount Model



10. Turning Power On

Set the shutter ON/OFF switch to ON as shown on the model images, Section 9. The cooling fan should go on constantly when switch is set to ON.

11. Control Knobs

Turn the INTENSITY knob clockwise to increase the brightness of the illuminator.

Use the COLOR knob to adjust the desire color temperature.

