

SCOPELED® G150 SERIES ILLUMINATOR

OPERATION MANUAL

Table Top
Pole Mount

COPYRIGHT © 2015-2016 ScopeLED®
All rights reserved. Printed in the United States of America.

This manual may not be reproduced in whole or in part, in any form or by any means, without the express written permission of ScopeLED®.

NO LIABILITY FOR ERRORS

ScopeLED® reserves the right to correct technical and typographical errors in this manual at any time, without prior notice. In no event shall ScopeLED® be liable for errors in this manual or for any damages arising out of or relating to this manual.

PRODUCT WARRANTY/LIMITATION OF REMEDITS

ScopeLED® warrants, to the original Buyer, all of its products to be free from defects in both workmanship and material for a period of one year from the date of shipment. This warranty extends to all products, which have proved defective through normal use, but excludes products that have been damaged, mishandled, disassembled, modified, or misused by Buyer or any other person. This warranty is in lieu of all other warranties, and ScopeLED® disclaims all other warranties express or implied, including any warranty of merchantability, fitness for a particular purpose, or arising from the course of dealing between the parties or usage of trade. ScopeLED® does not extend any warranty of any kind whatsoever to any purchaser of the products from Buyer or to any end-user of the products. ScopeLED®, at its sole choosing, will replace or repair to proper working condition any products under warranty that are returned. Products repaired or replaced under warranty are only warranted for the remaining unexpired period of time of the original warranty. ScopeLED® reserves the right to issue a credit memo for any defective product as an alternative to product replacement or repair. ScopeLED® will not accept Buyer generated debit memos. Buyer may not set off or withhold payment because any product is defective. In no event shall ScopeLED® liability under this warranty and this contract exceed the purchase price of the products. In no event shall ScopeLED® be liable under this warranty or this contract for consequential, incidental or special damages.

RETURN MATERIAL AUTHORIZATION TERMS

ScopeLED will only accept a return of products for which a ScopeLED® Return Material Authorization ("RMA") Number has been issued to Buyer prior to the shipment of the return products to ScopeLED®. This RMA Number must be displayed on all return shipment documents. ScopeLED® will refuse all returns that are not accompanied by an RMA Number. All risks of any such refused shipment are the sole responsibility of Buyer.

For warranty returns, ScopeLED® will only accept return products accompanied by a statement of defects. ScopeLED® will not evaluate returns not including this information, and such returns will be returned to Buyer at Buyer's expense. Warranty returns proved defective through damage, mishandling, disassembly, modification, or misuse by Buyer or any other person, and warranty returns found non-defective, will be subject to evaluation and processing fees, and repair costs if applicable. Non-warranty returns will be evaluated and will be subject to evaluation and processing fees. If non-warranty repair work is necessary, Buyer will be notified of repair costs before a repair work order is initiated. Confirming POs are required for non-warranty repair work.

For warranty returns, Buyer is responsible for one-way freight costs to ScopeLED®, including any duty and taxes. ScopeLED® will cover freight costs for return shipment to Buyer. Shipment charges billed to ScopeLED® without prior approval from ScopeLED® will be re-invoiced to Buyer.

For non-warranty returns, Buyer is responsible for two-way freight costs, including any duty and taxes. If shipment consists of returns that are both warranty and non-warranty, the shipment will be considered as non-warranty.

ScopeLED® will not accept Buyer generated debit memos.

All international return shipments to ScopeLED®, including packaging and airway bill, must be marked "Goods made in the United States; enter as American Goods Returned ('AGR') and state the reason for the return to the United States. ScopeLED® will refuse all returns that are not properly documented. All risks of any such refused shipment are the sole responsibility of Buyer.

International returns should be sent via Federal Express, UPS or DHL. International returns may be processed using ScopeLED®'s brokerage: EWI Inc. 305 Harbor Way, South San Francisco, CA 94080. Contact David Li at TEL: (650) 794-1388, FAX: (650) 794-1389. If one of these carriers or ScopeLED®'s broker is not used, ScopeLED® may invoice Buyer for any additional costs including duty and taxes.

REVERSE ENGINEERING/CONFIDENTIALITY

Buyer shall not reverse engineer, decompile, disassemble, modify, reproduce or copy any products or any software within any products. Buyer shall not analyze or identify the chemical composition or the physical characteristics of any products. Buyer shall not furnish ScopeLED® specifications to any other person.

SOFTWARE LICENSE

ScopeLED® does not transfer ownership of software contained in any products. ScopeLED® grants to Buyer a perpetual non-exclusive license to use software in the operation of the product in which it is contained. This license is transferable only with the transfer of ownership of the product.

TABLE OF CONTENTS

PRODUCT OVERVIEW 1

- ScopeLED® G150 Series Illuminator Overview 1
- ScopeLED® G-Series Family Product Feature Matrix 1
- Models & Naming Convention 2
- Included Hardware & Accessories 3
- Safety Instruction 4

HARDWARE SETUP 5

- Table Top Model Installation 5
- Pole Mount Model Installation 10
- Installation Recommendations 12

MANUAL OPERATION 13

- Control Panel 13
- Basic Operation 14

TROUBLE SHOOTING 15

SPECIFICATIONS 16

- Absolute Maximum Ratings 16
- Optical Specifications 16
- Mechanical Dimensions 17
- Mechanical Drawings 17

PRODUCT OVERVIEW

This product must be installed in accordance with the applicable installation code by a person familiar with the construction and operation of the product and hazards involved.

ScopeLED® G150 Series Illuminator Overview

ScopeLED® G150 Series offers high brightness, tunable color and adjustable intensity in a compact, flexible, and convenient package. Different colored LED chips packed into DiCon's Dense Matrix LED™ Array couple light efficiently into a light guide, illuminating your sample with selectable colors to enhance contrast, protect wavelength sensitive samples, and optimize viewing comfort.

The LEDs do not emit in the UV and IR spectral regions, eliminating the need for special filters. Undesirable light and sample interactions such as photobleaching in fluorescence and unintended curing in photosensitive adhesives can be avoided by selecting a color channel that doesn't interact with the sample.

The G150 Series combines optical power, flexibility, and usability in a compact form and is a great choice for your application.

ScopeLED® G-Series Family Product Feature Matrix

Features	Type	ScopeLED® G-Series		
		G150	G180	G250
Mounting	Table Top	x	x	x
	Pole Mount	x	x	x
Controls	Manual Control	x	x	x
	USB Control		x	
LED Color	Tunable White	x (3 modes)	x (6 modes)	
	RGB		x	
	Single Color	x	x	x

Models & Naming Convention

The ScopeLED® G150 Series has two different mounting types:

Table Top

Pole Mount

Both the Table Top and Pole Mount Illuminators come in Tunable White or Single Color output types.

Please reference the label at the bottom of the unit to confirm that you are using one of these models. If not, contact the manufacturer for the proper user manual.

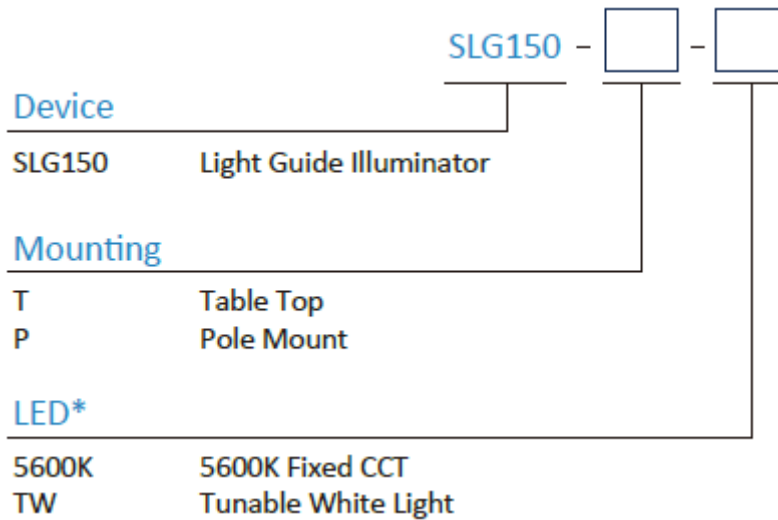
Tunable White (G150T-TW or G150P-TW)

The tunable white light illuminator has three preprogrammed selectable CCTs of 3000K, 4300K and 5600K.

Single Color (G150T-5600K or G150P-5600K)

The single color illuminator provides single white color at 5600K only. A customized color model may be available upon special request.

Naming Convention for ScopeLED® G150 Series product



Included Hardware & Accessories

- Illuminator x 1
- Tightening Set Screw x 1
- AC/DC Power Adapter x 1
- AC Power Cord x 1
- Quick Start Guide x 1
- Pole Adapter 40 to 32mm (Optional, PN: SLAG-PA32)
- Pole Adapter 40 to Specify ID (Optional, PN: SLAG-PACU)
- G-Series Support Stand for Table Top Models Using Ring Light Guides (Optional, PN: SLAG-SS)
- G-Series Lead Base for Table Top Models Using Rigid Light Guides (Optional, PN: BASE)
- Rigid Bifurcated Gooseneck Light Guide (Optional, PN: SLAG-BIFR)
- Ring Light Guide (Optional, PN: SLAG-RING)
- Light Guide Adapter (Optional, Custom Design)

Safety Instruction

Warnings

- Never look directly at the light output port.
- Inappropriate usage of ScopeLED® G-Series products could result in eye damage.
- Installation of the product onto readily available microscopes should always be performed according to the written guidelines.

Attention (also see Installation Recommendations & Absolute Maximum Ratings)

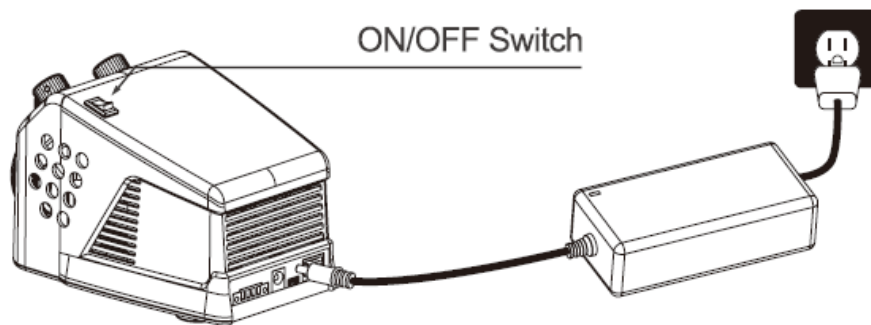
- The statements regarding safety of operation of the G-Series will apply only when the product is operated correctly.
- Any installation or attachment of light guide to the G-Series Illuminator should always be performed with power adapter and other cables disconnected.
- When installing or removing a light guide, the G-Series Illuminator ON/OFF switch should always be set to "OFF".
- The G-Series must not be operated in explosion prone environments. The G-Series products must always be operated with shielded cables.

HARDWARE SETUP

Table Top Model Installation

1. Set the G150 Series ON/OFF switch to “OFF”
2. Connect the 12V AC/DC power adapter to the illuminator at the DC power port shown on the model images below and then plug the 12V AC/DC power adapter to wall socket

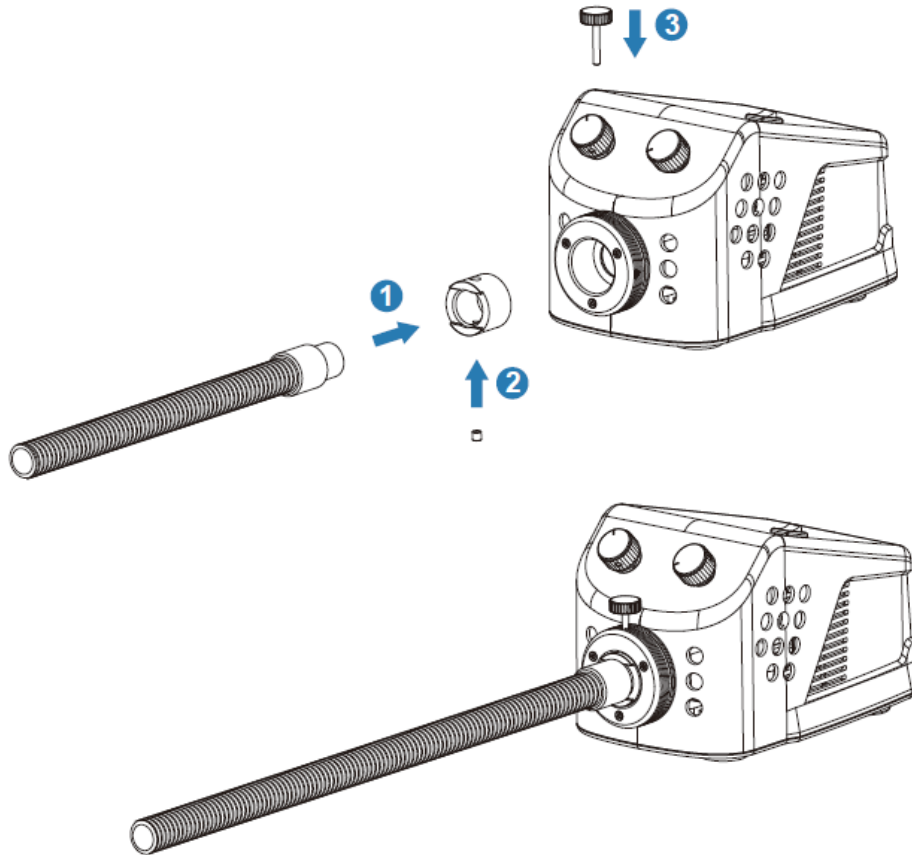
Table Top Model



SCOPELED® G150 SERIES ILLUMINATOR

3. Light Guide Installation

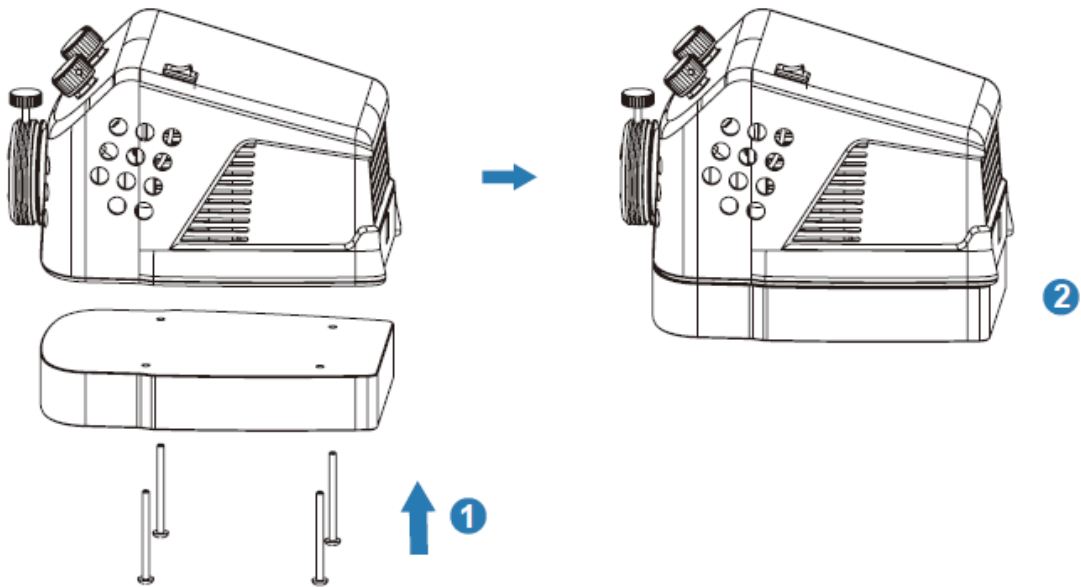
Place the illuminator on a desk. Connect the single or bifurcated gooseneck to the light guide adapter, and secure it with the set screw. Insert the gooseneck or ring light into the LED illuminator light output port and secure it with the tightening screw.



4. Lead Base/Support Stand (Optional)

If using a rigid gooseneck light guide with the G150T or G180T table top models, the optional SLAG-BASE lead base is recommended. Remove the four screws on the bottom of the LED illuminator. Then place the base over the bottom lining up the screw holes, and re-insert the screws to attach the base to the bottom of the illuminator.

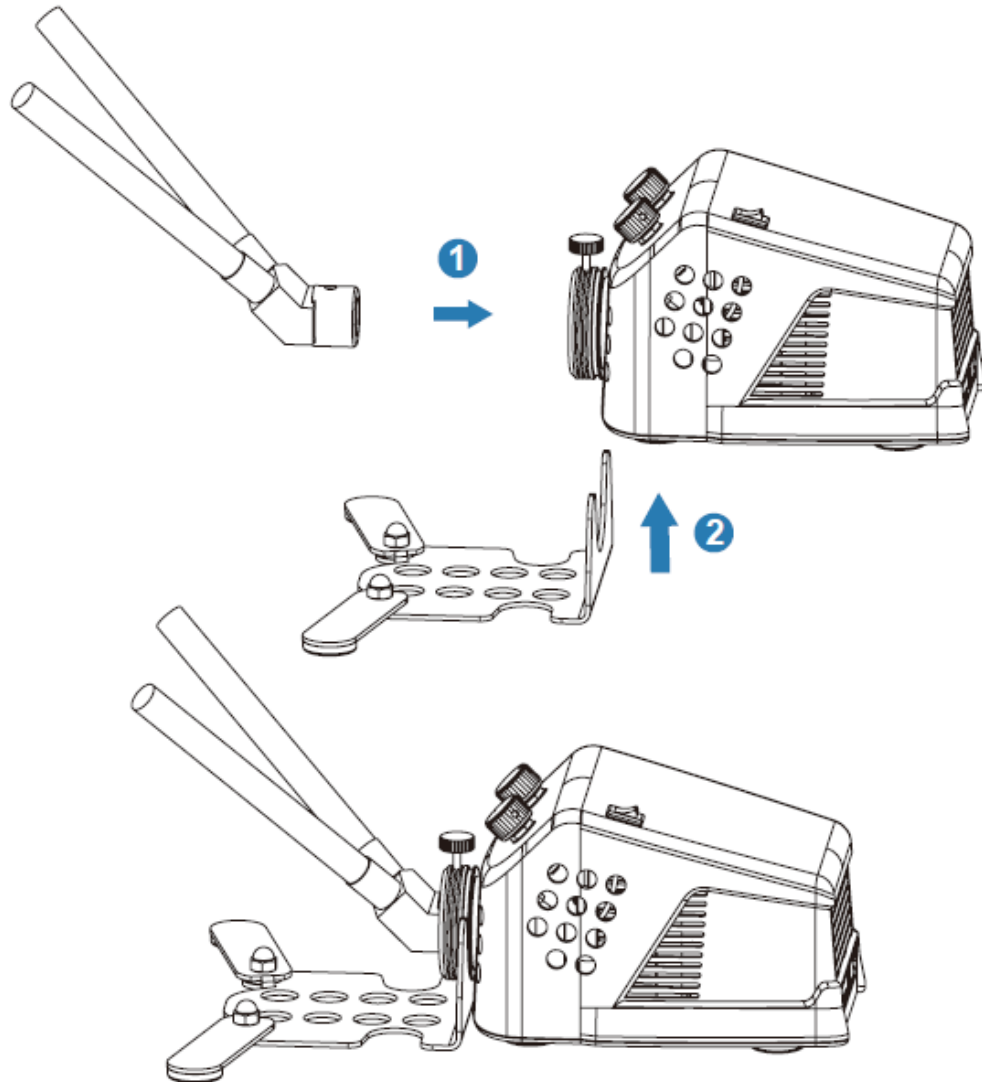
Lead Base



SCOPELED® G150 SERIES ILLUMINATOR

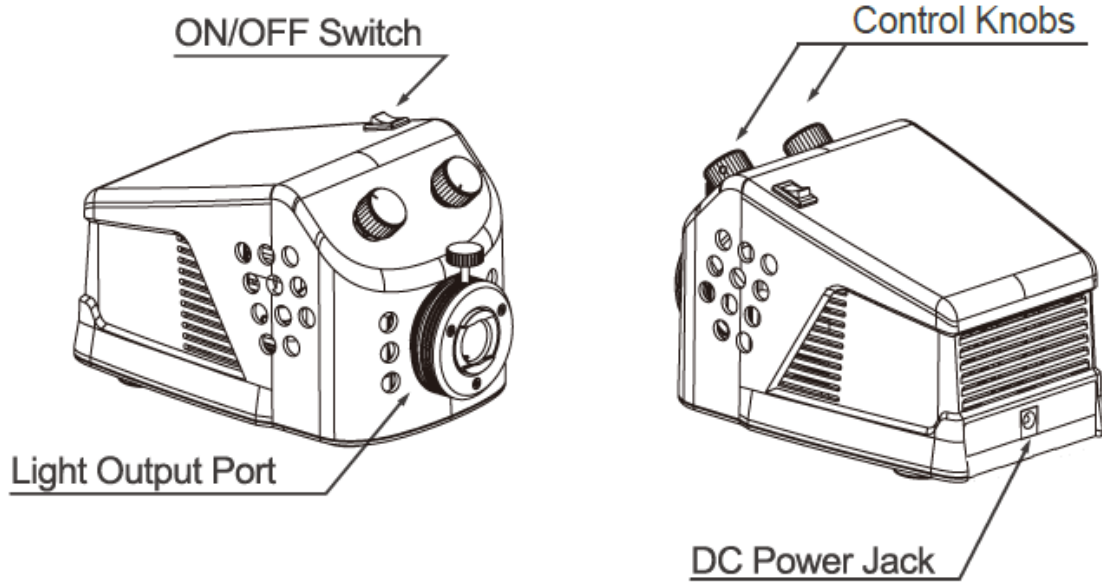
The optional SLAG-SS support stand may also be used but will not provide as much stability as the lead base. Snap the U-shaped opening of the support stand into the indent ring located behind the LED illuminator light output port. Push down hard to fully seat the stand in the ring. If needed, extend out the foldable arms for additional lateral support.

Support Stand



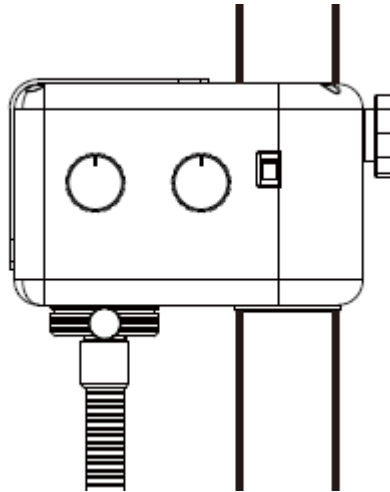
SCOPELED® G150 SERIES ILLUMINATOR

Table Top Controls



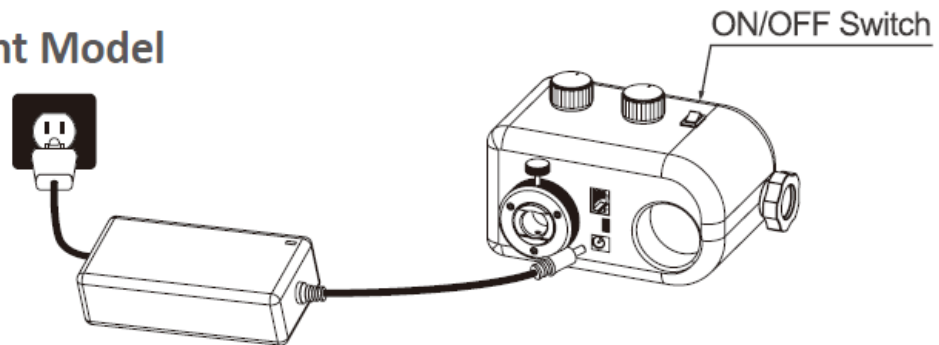
Pole Mount Model Installation

1. Set the G150 Series ON/OFF switch to “OFF”
2. Mount the illuminator to the pole.



3. Connect the 12V AC/DC power adapter to the illuminator at the DC power port shown on the model images below and then plug the 12V AC/DC power adapter to wall socket

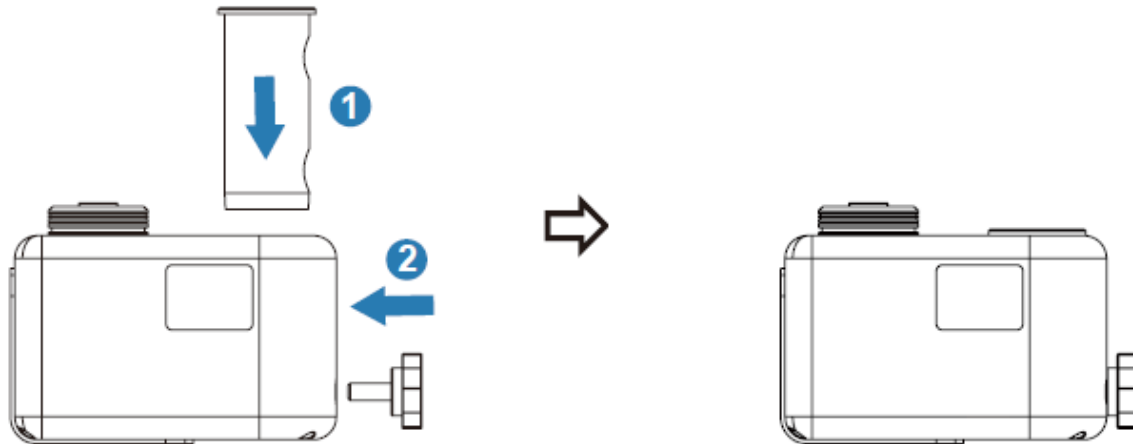
Pole Mount Model



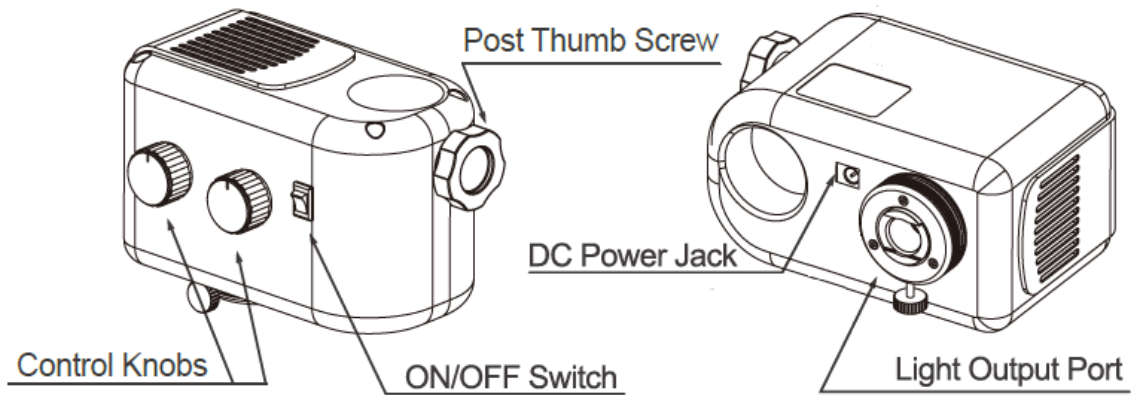
SCOPELED® G150 SERIES ILLUMINATOR

4. Pole Adapter (Optional)

Pole Adapter will be necessary for microscope stand with vertical or horizontal pole diameters less than 40mm. Insert the Pole Adapter into the G150P 40mm opening, be sure the openings on the Pole Adapter are facing the post thumb screw.



Pole Mount Controls



Installation Recommendations

Mounting

The ScopeLED® G150 Series Illuminator is available as a Table Top unit, or as a Pole Mount unit that is intended for mounting on typical microscope stands from 32mm to 40mm in diameter. The following considerations should be made before choosing a mounting option.

Environment

The illuminator is not suited for wet or damp locations. Be sure to protect all electronics from moisture.

Do not mount or locate the unit in an explosive environment near combustible material.

Air Volume

Do not encase or bury the unit in any way that restricts airflow.

Orientation

The post-mount version can be oriented vertically, horizontally, or inverted. Be sure that the mounting method and location is capable of supporting the weight of the illuminator.

Power Adapter

The output connector of the power adapter must be a female barrel connector with dimensions of 2.1mm x 5.5mm for direct compatibility with the G150 Series Illuminator.

Though the fitting between the output connector of the power supply and input connector of the Microscope Illuminator may be snug, the connection will not be able to support the weight of the Illuminator. Do not use the power supply as its own hanging device.

Light Guides

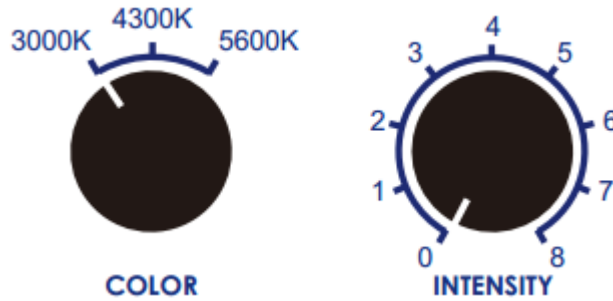
The G150 Series Illuminator is most efficient for light guides in the range of 4 to 25.4 mm outer diameter. The Microscope Illuminator is designed to accept a variety of light guides. Custom size adapters can be made upon request.

MANUAL OPERATION

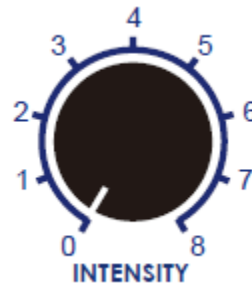
Control Panel

To manually operate the G150 Series Illuminator, two knobs are available for color-tuning (Not applicable for single color model) and intensity levels. The intensity knob is identical for all three light output types of the G150 Series Illuminator (tunable white and single color).

Tunable White (G150T-TW or G150P-TW)



Single Color (G150T-5600K or G150P-5600K)



Preprogrammed Modes

Preprogrammed Modes for Tunable White Output Type (G150T-TW or G150P-TW)

Mode	White Light CCT Value
1	3000 K
2	4300 K
3	5600 K

Preprogrammed Modes for Single Color Output Type (G150T-5600K or G150P-5600K)

Mode	White Light CCT Value
1	5600 K

Basic Operation

1. Follow **HARDWARE SETUP** to properly install the G150 Series Illuminator onto your application system.
2. Press the ON/FF switch on the control panel to the “ON” position to turn the illuminator on. The illuminator will operate at the setting indicated by the control knobs.
3. Use the COLOR tuning (color/mode) knob to select the desired preprogrammed colors, white light CCT values or custom settings. These knob settings are also referred to in this manual as preprogrammed modes. (See **Preprogrammed Modes** for mode descriptions. Rotating the Color-tuning knob clockwise will progress through these modes in the order listed.)
4. The INTENSITY knob is used to manually adjust the intensity or brightness of the modes without changing its color parameters. Turning the knob fully clockwise results in maximum brightness of the selected mode. Turning the knob fully counter-clockwise results in dimming the selected mode to zero out.

TROUBLE SHOOTING

Problem	Solution
Illuminator does not turn on	Check that the green light on the power adapter is on and verify that all of the connections to the adapter and the Microscope Illuminator are properly connected.
	Turn the intensity knob to maximum intensity and cycle through the different modes using the color-tuning knob. The color-tuning knob can be in a custom mode position where the custom mode has not been programmed.
Light output only appears red	Make sure that the protective dust cover on the end cap has been removed.
Fan does not turn on	The fan should be on constantly. If the fan fails to engage, turn off the unit immediately and contact the manufacturer.
Illuminator is not emitting all of the colors	Turn the intensity knob to maximum intensity, then cycle through each preset mode using the color-tuning knob. If any of the colors appear unusually dim, please contact the manufacturer.
Illuminator is flickering	Flickering is often a result of the driver not receiving a high enough DC voltage. Verify that the 12V DC output from the power adapter is correct.
	Shorten the line from the power supply to the Microscope Illuminator. Never exceed more than a 15 ft length from the power supply.
	Power cycle the Microscope Illuminator by shutting off the power to the power adapter and restarting.
Illuminator has shut down and is hot	Check to make sure the fan is operating properly and the device is being used within its environmental temperature range (see <i>Installation Recommendations</i>).
	Make sure there is nothing obstructing the airflow to the Microscope Illuminator. It is required that a minimum of eight cubic feet of airspace is provided around the device.

SPECIFICATIONS

Absolute Maximum Ratings

Power Adapter Voltage	10.8V DC to 13.2V DC
Input Current	Max 3.5A
Operating Temp	0°C to 40°C (32°F to 104°F)
Storage Temp	-20°C to 75°C (-4°F to 167°F)
Humidity	10% to 90%
CCT Range	3000K to 5600K
Table Top Model Weight	0.771KG (1.7lbs)
Pole Mount Model Weight	0.635KG (1.4lbs)

Optical Specifications

Typical Optical Characteristics - Tunable White Output Type (G150T-TW or G150P-TW)

Typical CCT / Color Settings	8mm Light Guide	
	Radiant Flux (mW)	Luminous Flux (Lm)
3000 K	510	135
4300 K	930	260
5600 K	740	205

Typical Optical Characteristics – Single Color Output Type (G150T-5600K or G150P-5600K)

Typical CCT / Color Settings	8mm Light Guide	
	Radiant Flux (mW)	Luminous Flux (Lm)
5600 K	1280	400

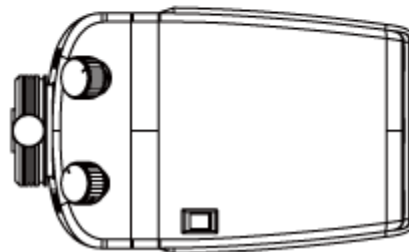
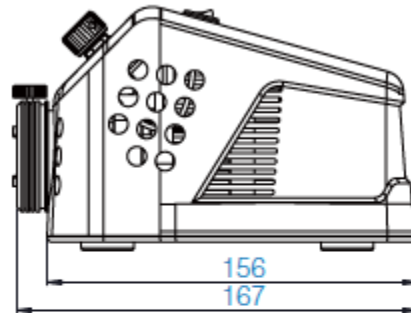
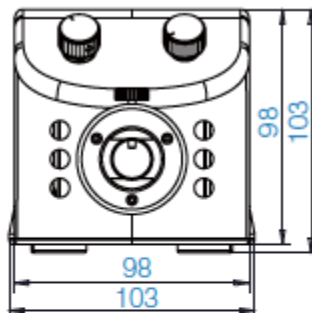
Mechanical Dimensions

Mechanical Dimensions for all Microscope Illuminator models

Model	Dimensions (Illuminator only, unit in mm)
Table Top	167 (L) x 103 (W) x 103 (H)
Pole Mount	164 (L) x 98 (W) x 109 (H)

Mechanical Drawings

G150 Table Top Series



SCOPELED® G150 SERIES ILLUMINATOR

G150 Pole Mount Series

