

F-Series

FLUORESCENCE MICROSCOPE ILLUMINATOR

Quick Start Guide



SCOPELED®

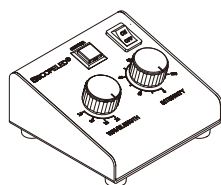
www.scopeled.com

© ScopeLED. All Rights Reserved.

1. Items Included

F110, F120 and F140

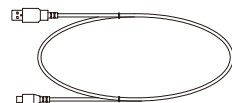
- F110 F120 F140 F-Series Illuminator, including LED Array Module x1
- Microscope Mounting Adapter x1 (See Microscope Mounting Adapters List)
- F-Series Manual Controller x1
- RJ12 Cable x1
- USB to Mini-USB Cable x1
- AC Power Cord x1
- AC/DC Power Adapter x1
- Quick Start Guide x1



Manual Controller



RJ12 Cable



USB to Mini-USB Cable



AC Power Cord



AC/DC Power Adapter



Foot Switch (Optional)



4-Pin to 2-BNC Male Cable (Optional)

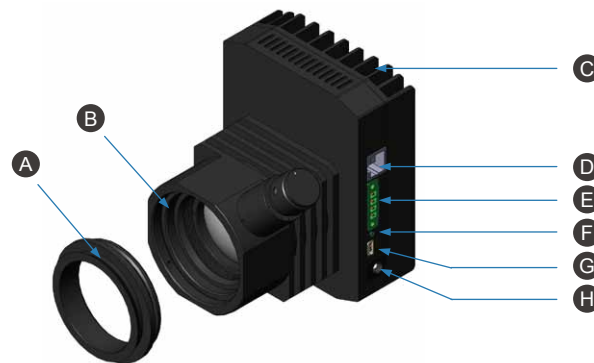
Accessory items that can be purchased for each model:

- Additional microscope mounting adapters
- Optional Foot Switch for shuttering
- Analog to Digital Communication Cable:
4-Pin to 2-BNC Male Cable

For purchase of accessory items, please contact your local ScopeLED dealer or go to www.scopeled.com for information.

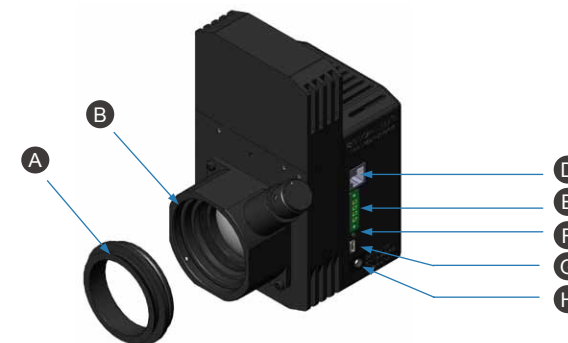
2. Parts Diagram

F110 Single Wavelength Illuminator



- A Microscope Mounting Adapter
- B Focusing Lens
- C Heat Sink
- D RJ12
- E External Trigger Connector

F120 and F140



- F Power Indicator
- G Mini USB
- H DC Power Jack

3. Safety Instruction

Warnings:

- Never look directly at the LED array light.
- Inappropriate usage of ScopeLED's F-Series products could result in eye damage.
- Installation of the product onto readily available microscopes should always be performed according to the written guidelines.

4. Contact Us

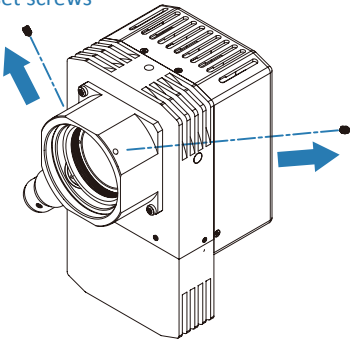


1689 Regatta Blvd, Richmond, CA 94804
tel | 510.620.5154
fax | 510.620.4102
scopeled@scopeled.com

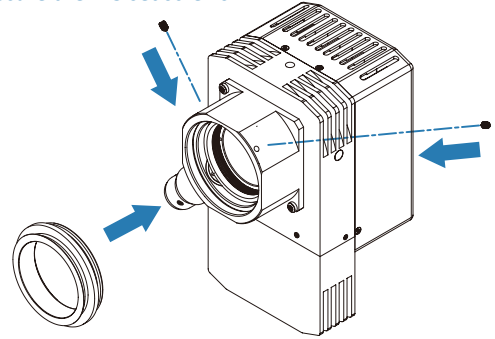
5. Setup (Applies to all the Illuminators)

- The illuminator comes with the microscope adapter installed, however, if for any reason the installed microscope adapter needs to be changed, use a 1.5mm allen wrench to loosen the M3 set screws located on the bottom of the front of the illuminator housing.

Loosen the M3 set screws

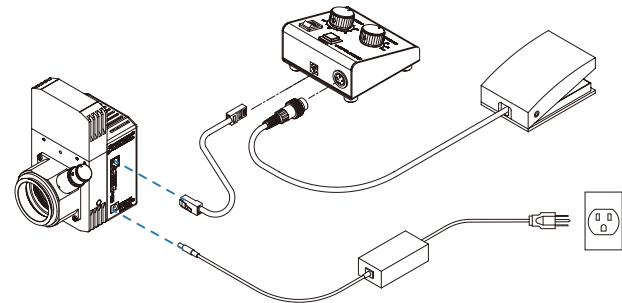


Secure the M3 set screws



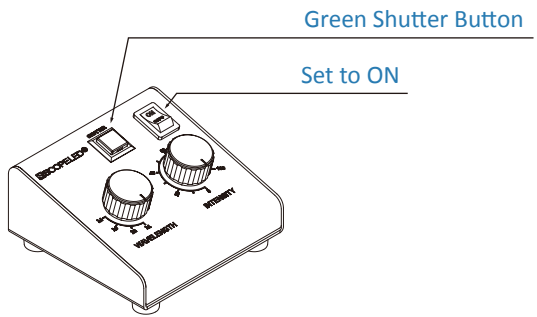
- Attach the ScopeLED F-Series Illuminator with the microscope mounting adapter to the microscope's fluorescence illuminator lamp-house port.
- It is important that the ScopeLED F120 and F140 Illuminator models be mounted in a vertical 12 O'Clock position to +/- 5 degrees.

- Once the Illuminator is installed on the microscope's fluorescence illuminator lamp-house port, connect the AC/DC power adapter to the illuminator at the DC power input port.
- Connect the RJ12 cable to the Illuminator and then to the Manual Controller unit.
- Plug the AC power cord into the power supply and then into the wall socket.



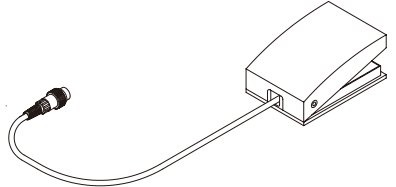
6. Turning the Power On

- Turn the Illuminator ON using the ON/OFF button located in the upper right of the controller.
- Once on, the light path can be controlled using the Green Shutter button.
- When your imaging is complete, turn the ON/OFF button to the OFF position.



7. Options

- Foot Switch
If you are using the optional foot switch, plug this into the back of the controller, place the foot switch in a comfortable location on the floor, and open and close the shutter by pressing on the foot pedal.



- BNC Cable
If you are using the optional BNC cable, please consult the F-Series Operation Manual for proper use.



8. Control Knobs

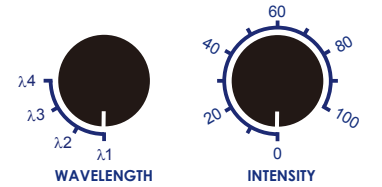
- Use the control knob labeled "INTENSITY" to adjust the brightness as the images below.
- Use the control knob labeled "WAVELENGTH" to change the wavelength as the images below.

F110 Series Single Wavelength Illuminator:
Use wavelength 1 setting.

F120 Series Dual Wavelength Illuminator:
Use wavelength 1 and wavelength 2 settings

F140 Series Quadruple Wavelength Illuminator:
Use wavelength 1 to wavelength 4 settings

F110, F120, and F140



9. Downloads

Software:
Controlling the F-Series Illuminator by PC requires Light Control Software. This can be downloaded at <http://www.scopeled.com/resources/downloads.php>

Operation Manual:
For the complete F-Series Operation Manual in PDF format please go to link on the ScopeLED website. <http://www.scopeled.com/resources/downloads.php>