

G250 Series

MICROSCOPE ILLUMINATOR

Quick Start Guide



SCOPELED®

www.scopeled.com

© ScopeLED. All Rights Reserved.

1. Items Included

G250T

- Illuminator x1
- Tightening Set Screw x1
- AC/DC Power Adapter x1
- Power Cord x1
- Quick Start Guide x1

G250P

- Illuminator x1
- Stand Adapter x1
- Mounting Knob x1
- M3 Screw x4
- Tightening Set Screw x1
- AC/DC Power Adapter x1
- Power Cord x1
- Quick Start Guide x1

For purchase of accessory items, please contact your local ScopeLED dealer or go to www.scopeled.com for information.

2. Safety Instruction

Warnings:

- Never look directly at the LED array light.
- Inappropriate usage of ScopeLED's G250 Series products could result in eye damage.
- Installation of the product onto readily available microscopes should always be performed according to the written guidelines.
- When installing or removing a light guide, the G250 Series illuminator shutter should always be set to off and let it cool down for at least three minutes.

Attention:

- The statements regarding safety of operation of the G250 Series will apply only when the product is operated correctly.
- Any installation or attachment of optic light guide to the G250 Series illuminator should always be performed with power adapter and other cables disconnected.
- The G250 Series must not be operated in explosion prone environments. The G250 Series products must always be operated with shielded cables.

3. Specifications

SIZE

6.69"x3.54"x4.33"(P) 6.69"x3.54"x6.1"(T)

WEIGHT

2.73 lb(P) 3.24lb(T)

LED

Dense Matrix LED

Thermal Design

Advanced Air Cooling System

CCT

G250-3 3000K, G250-4 4300K, G250-5 5600K and G250-6 6500K

CRI

> 70

Power Consumption

100 W Max

Input

24 V DC

AC Adaptor

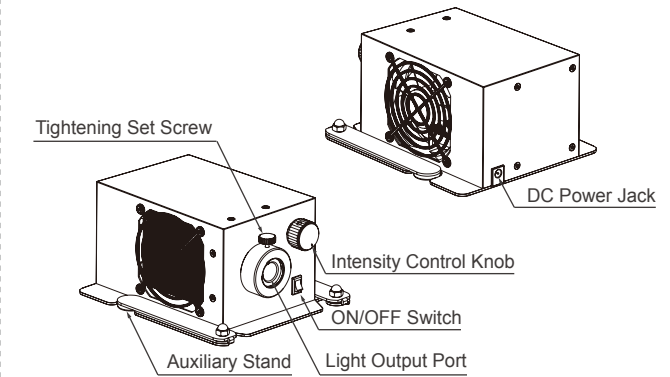
100-240V AC,50/60Hz(In)/24 V DC,120W Max.(Out)

Operating Temperature

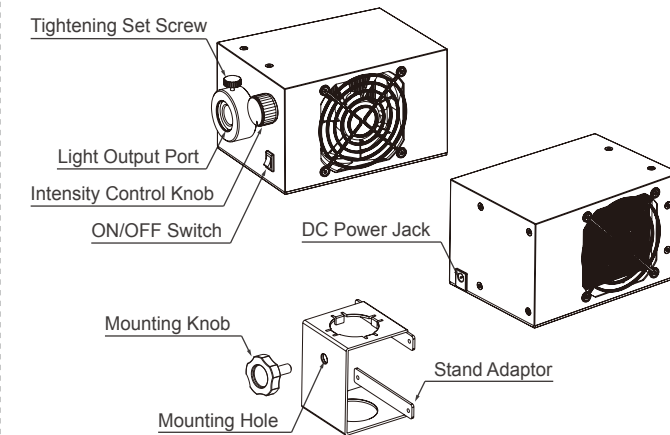
0 to 40°C

4. Parts Diagram

G250T



G250P



5. Contact Us

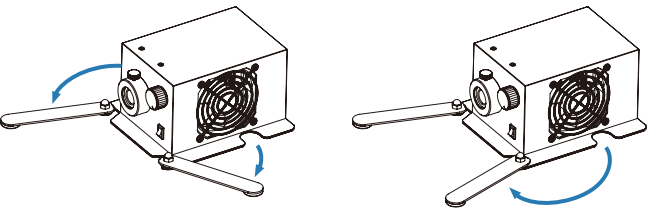


1689 Regatta Blvd, Richmond, CA 94804
tel | 510.620.5154
fax | 510.620.4102
scopeled@scopeled.com

5870037A2

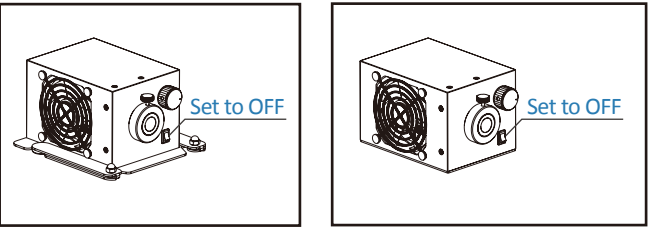
6. Auxiliary stand

If using a rigid self supporting single or bifurcated light guide with the G250T table top models, the auxiliary stand will support the extended light guide. Pull out both stands and extend them until they reach the end position.

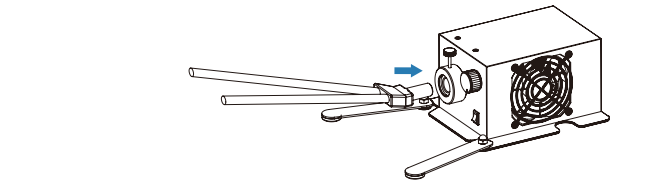


7. Light Guide Installation

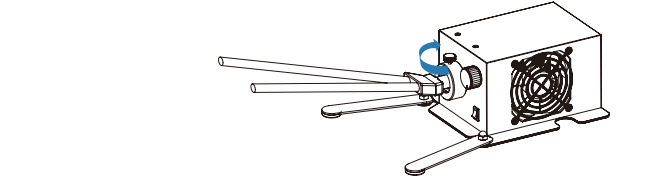
Make sure the Shutter is set to OFF.



Insert a light guide into the Light Output Port until it meets the end.

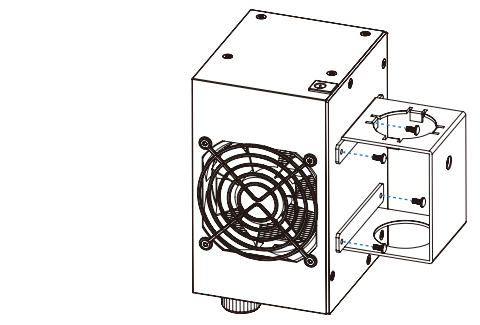


Rotate the Tightening Set Screw clockwise to secure the light guide.

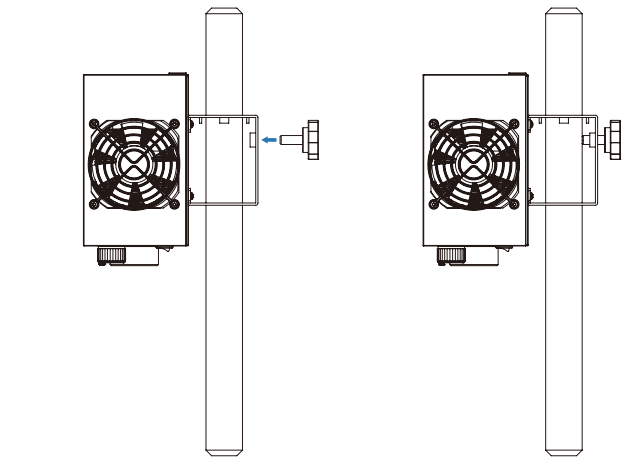


8. Stand Adapter of G250P

Secure Stand Adapter on G250P with four M3 screws.



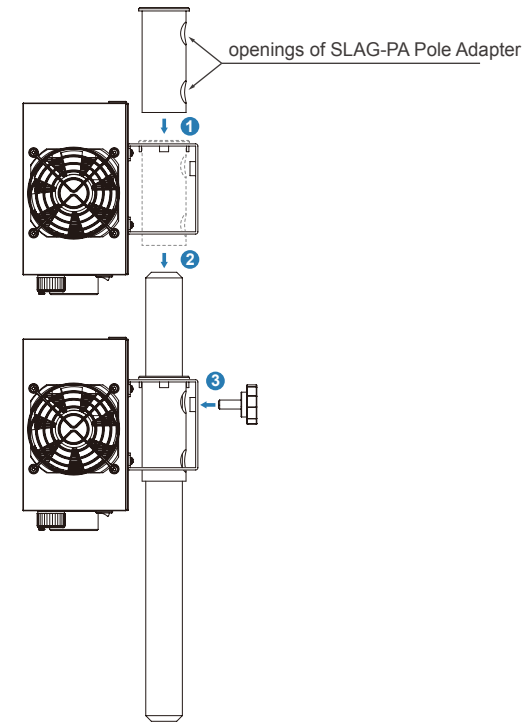
Use Mounting Knob to fix G250P through Mounting Hole at the appropriate position on microscope stand.



9. Pole Adapter (Optional)

SLAG-PA Pole Adapter will be necessary for microscope stand with vertical or horizontal pole diameters less than 40mm.

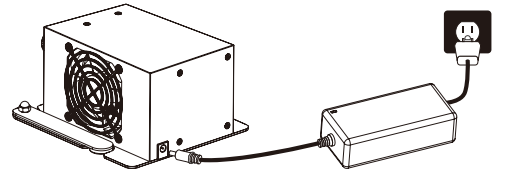
1. Insert SLAG-PA Pole Adapter into G250P Stand Adapter. Be sure the openings on the SLAG-PA Pole Adapter are facing the post thumb screw.
2. Slip the set with the insert over the vertical or horizontal pole of microscope stand.
3. Use Mounting Knob to fix G250P through Mounting Hole at the appropriate position on microscope stand.



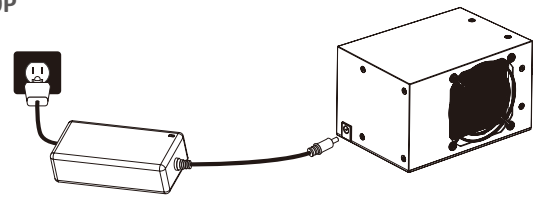
10. Power Setup

Connect the 24V AC/DC Power Adapter to the illuminator at the DC power port shown on the Model images below and then plug the Power Cord into the wall socket:

G250T



G250P



11. Turning Power On

Set the shutter ON/OFF switch to "ON". The cooling fan should be on constantly when shutter switch is set to ON.

12. Intensity Control Knob

Turn the INTENSITY control knob to adjust brightness of the illuminator.

